



ALUMINIUM EXTRUSIONS

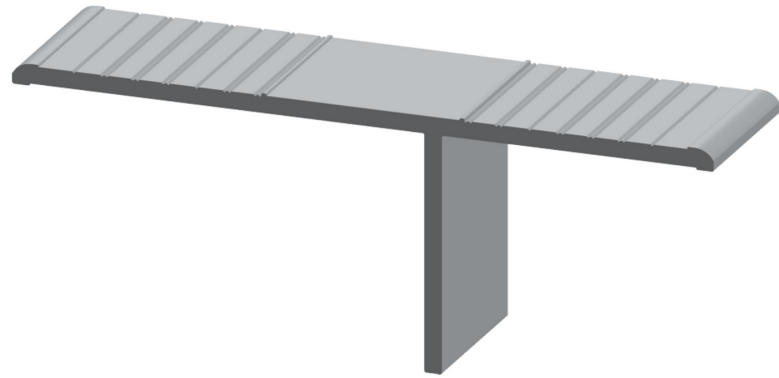
TRUCK BODY INDUSTRY

PROFILE
CATALOGUE

WWW.RFM.CO.ZA



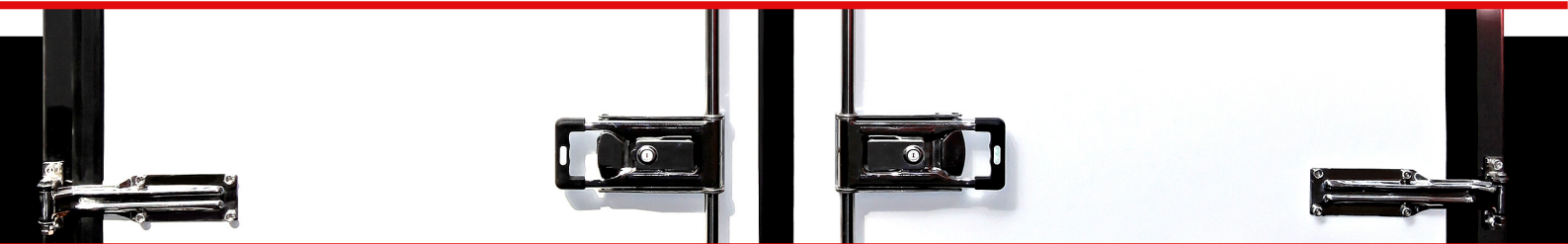
Grow Your
Business
with Us!



» About Us

RF Metals is an Aluminium profile stockist that was established in Cape Town, with over 20 years of experience in the industry. It had grown well with it's ethos of a customer orientated culture and opened another branch in Johannesburg in 2021 to bring its quality products and service offering to Gauteng. RF Metals stock, amongst others both Wispeco and Hulamin's local quality aluminium extrusions and all branches are proud CDP's (Crealco Distribution Partners). All CDP's are linked to the Crealco CDP supply website page.

WE RETAIL NATIONALLY



Contact Us

+27 21 5510125 CPT

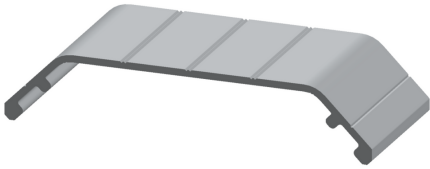
+27 87 164 1888 JHB

www.rfm.co.za

[@rfmetals](https://www.facebook.com/rfmetals)

So what are you waiting for,
entrust your business to us.

3 D



CODE
VEC-31472-80

DESCRIPTION
DIE 31472
FRONT COVE

3 D



CODE
VEC-31473-80

DESCRIPTION
DIE 31473
70X70 COVING

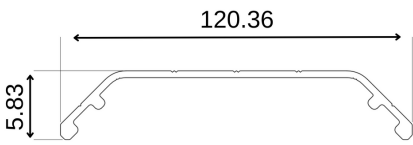
3 D



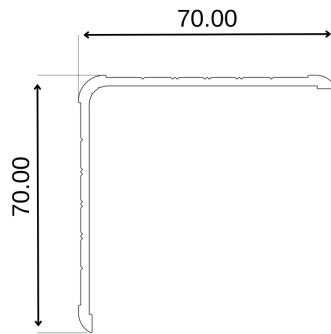
CODE
VEC-31474-80

DESCRIPTION
DIE 31473
120X70 COVE

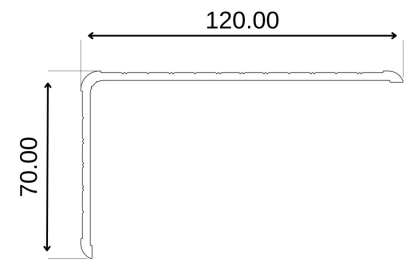
2 D



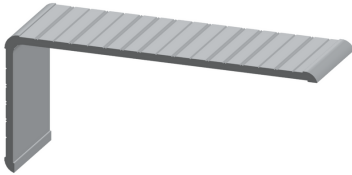
2 D



2 D



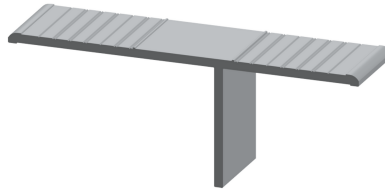
3 D



CODE
VEC-31888-80

DESCRIPTION
DIE 31888
160X70 COVE

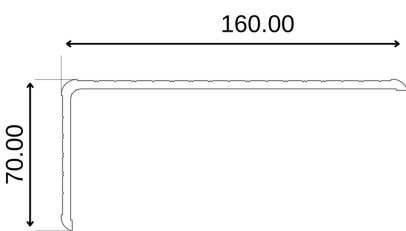
3 D



CODE
VEC-33518-65

DESCRIPTION
DIE W33518A
BIG COVE

2 D



2 D

