



**ALUMINIUM EXTRUSIONS**

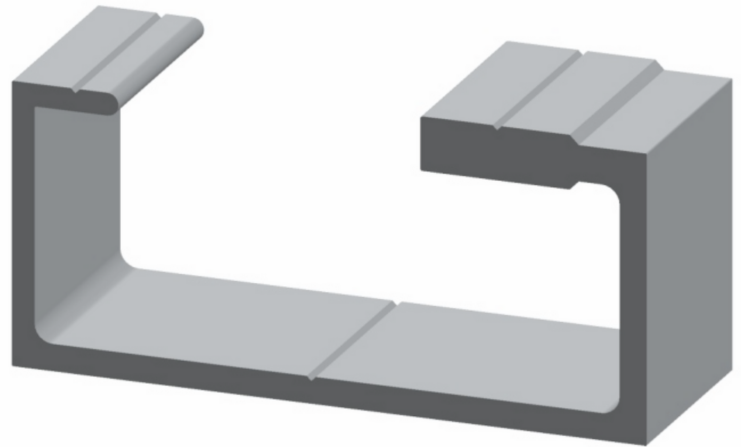
# COLD ROOMS INDUSTRY

PROFILE  
CATALOGUE

[WWW.RFM.CO.ZA](http://WWW.RFM.CO.ZA)



Grow Your  
Business  
with Us!



## » About Us

RF Metals is an Aluminium profile stockist that was established in Cape Town, with over 20 years of experience in the industry. It had grown well with its ethos of a customer orientated culture and opened another branch in Johannesburg in 2021 to bring its quality products and service offering to Gauteng. RF Metals stock, amongst others both Wispeco and Hulamin's local quality aluminium extrusions and all branches are proud CDP's (Crealco Distribution Partners). All CDP's are linked to the Crealco CDP supply website page.

## WE RETAIL NATIONALLY



## Contact Us

☎ +27 21 5510125 CPT

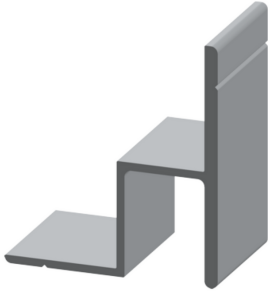
☎ +27 87 164 1888 JHB

🌐 [www.rfm.co.za](http://www.rfm.co.za)

📘 @rfmetals

So what are you waiting for,  
entrust your business to us.

3 D



CODE	DESCRIPTION	LENGTH
VZZ-23330	DIE 23330 COLD ROOM DOOR BOTTOM MILL	6.000

3 D



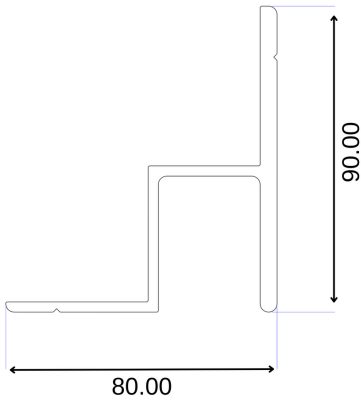
CODE	DESCRIPTION	LENGTH
VZZ-29707	ECONOGLIDE SIDE TRIM	6.250

3 D

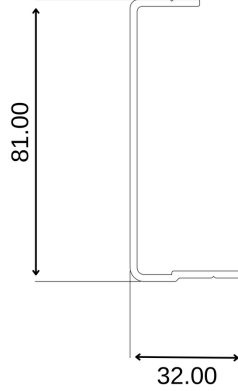


CODE	DESCRIPTION	LENGTH
VZZ-29708	DIE 29708 DOOR TRACK	6.000

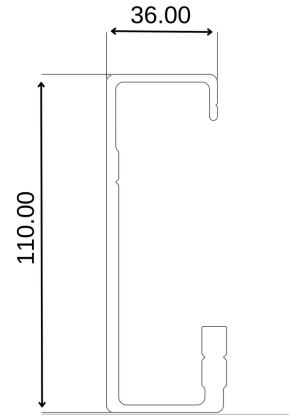
2 D



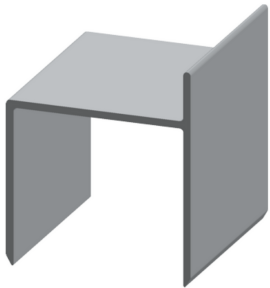
2 D



2 D

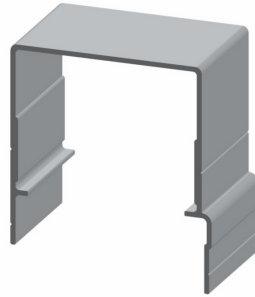


3 D



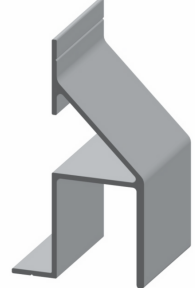
CODE	DESCRIPTION	LENGTH
VZZ-32574	DIE 32574 SMALL C	6.000

3 D



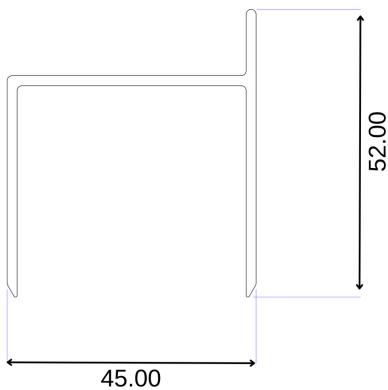
CODE	DESCRIPTION	LENGTH
VAP-29705	DIE 29705 DOOR HEADER	6.000

3 D

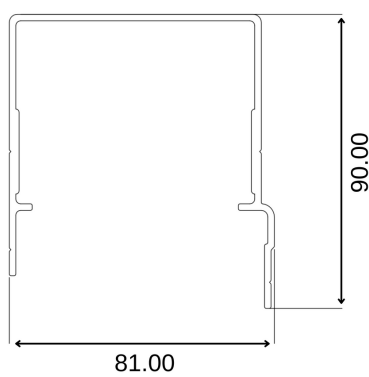


CODE	DESCRIPTION	LENGTH
VZZ-29706	DIE 29706 ECONOGLIDE DOOR BOTTOM GUIDE M	6.000

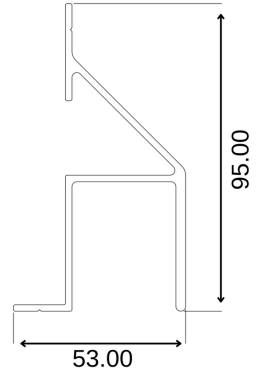
2 D



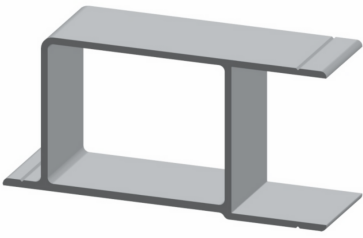
2 D



2 D

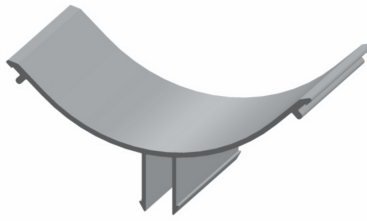


3 D



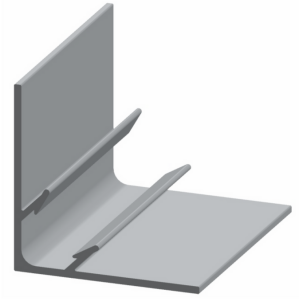
CODE	DESCRIPTION	LENGTH
VZZ-42958	DIE 42958 COLD ROOM HEADER	5.000

3 D



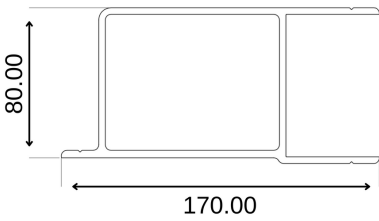
CODE	DESCRIPTION	LENGTH
VZZ-11746	DIE 11746 COVE MILL	6.000

3 D

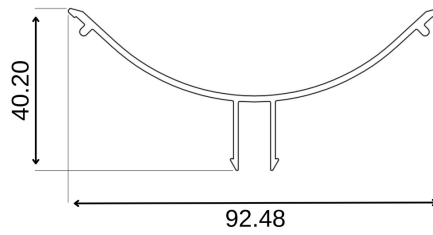


CODE	DESCRIPTION	LENGTH
VZZ-22483	DIE 22483 COVE CLIP MILL	6.000

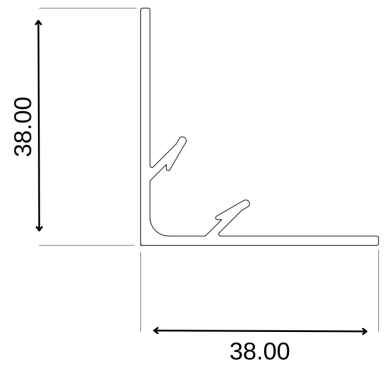
2 D



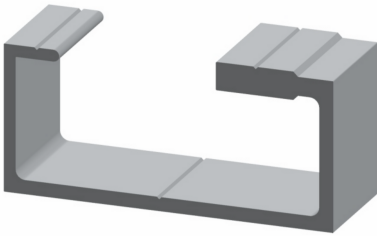
2 D



2 D



3 D



CODE	DESCRIPTION	LENGTH
VZZ-25458	DIE 25458 ECONOLITE DOOR TRACK MILL	6.000

2 D

