



ALUMINIUM EXTRUSIONS

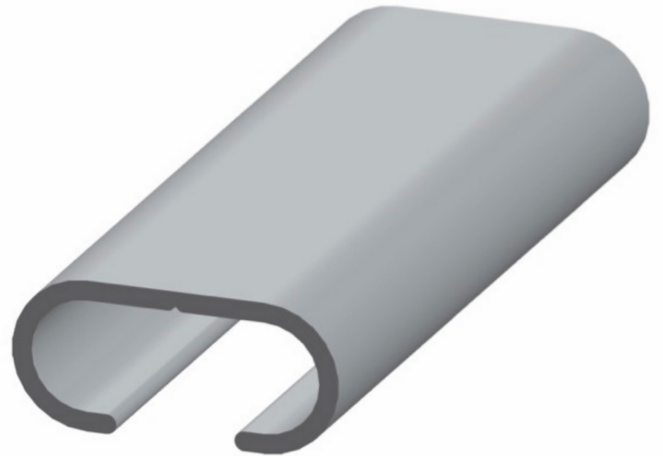
BLINDS INDUSTRY

PROFILE
CATALOGUE

WWW.RFM.CO.ZA



Grow Your
Business
with Us!




» About Us

RF Metals is an Aluminium profile stockist that was established in Cape Town, with over 20 years of experience in the industry. It had grown well with it's ethos of a customer orientated culture and opened another branch in Johannesburg in 2021 to bring its quality products and service offering to Gauteng. RF Metals stock, amongst others both Wispeco and Hulamin's local quality aluminium extrusions and all branches are proud CDP's (Crealco Distribution Partners). All CDP's are linked to the Crealco CDP supply website page.

WE RETAIL NATIONALLY



Contact Us

 +27 21 5510125 CPT

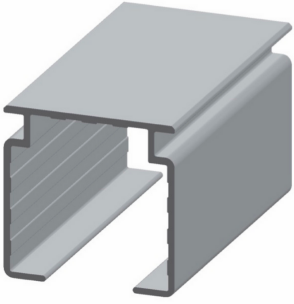
 +27 87 164 1888 JHB

 www.rfm.co.za

 [@rfmetals](https://www.facebook.com/rfmetals)

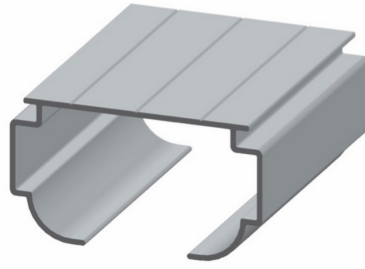
So what are you waiting for,
entrust your business to us.

3 D



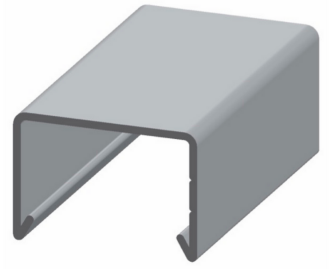
CODE	DESCRIPTION	LENGTH
VZZ-27649-60	BLIND TILT TRACK-HEAD RAIL	6.000

3 D



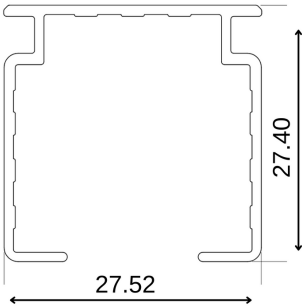
CODE	DESCRIPTION	LENGTH
VZZ-32434-60	DIE 32434 LIGHT EURO TRACK	6.000

3 D

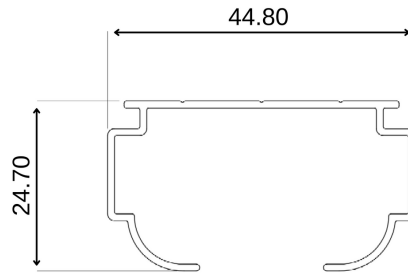


CODE	DESCRIPTION	LENGTH
VZZ-32462-60	VENETIAN HEADRAIL	6.000

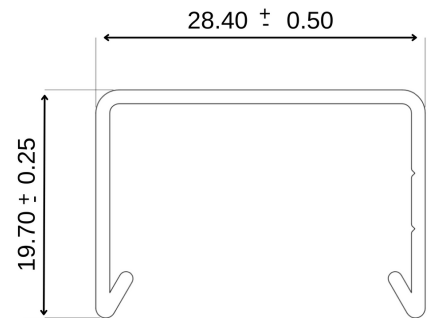
2 D



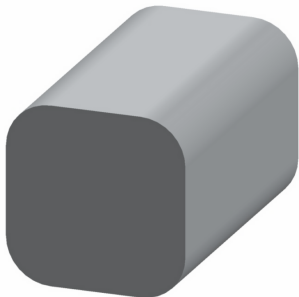
2 D



2 D

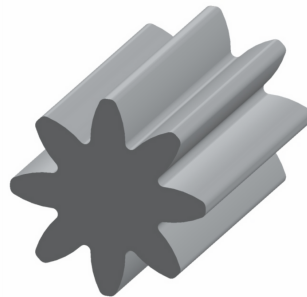


3 D



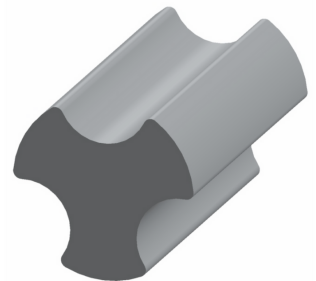
CODE	DESCRIPTION	LENGTH
VZZ-42665-60	6MM SQUARE BAR TILT ROD	6.000

3 D



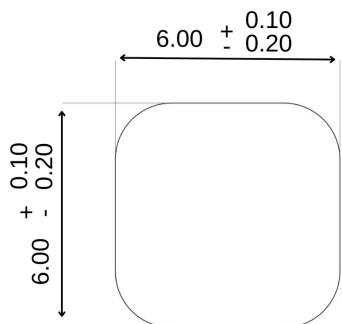
CODE	DESCRIPTION	LENGTH
VZZ-30800-60	8 STAR TILT ROD	6.000

3 D

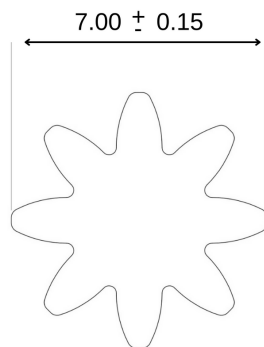


CODE	DESCRIPTION	LENGTH
VZZ-41430-60	3 STAR TILT ROD	6.000

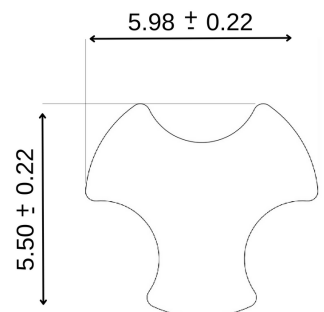
2 D



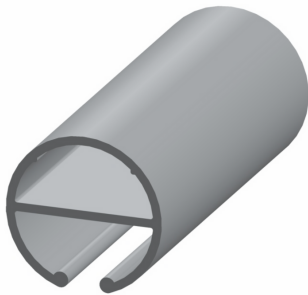
2 D



2 D

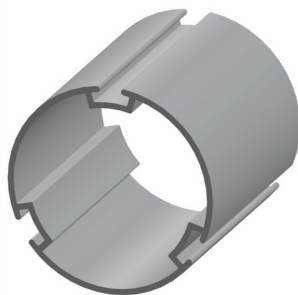


3 D



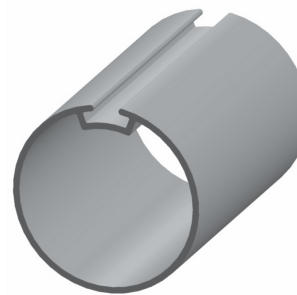
CODE	DESCRIPTION	LENGTH
VAT-56091-60	DIE 56091 BOTTOM SECTION	6.000

3 D



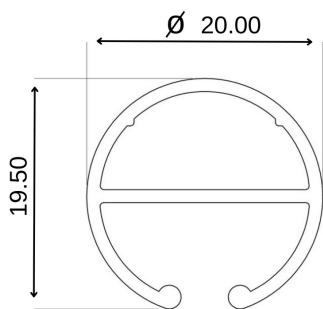
CODE	DESCRIPTION	LENGTH
VAT-56678-60	DIE 56678- 45MM ROLLER TUBE	6.000

3 D

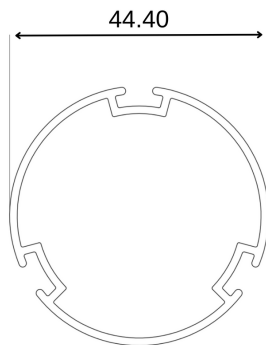


CODE	DESCRIPTION	LENGTH
VAT-56679-60	32MM ROLLER TUBE	6.000

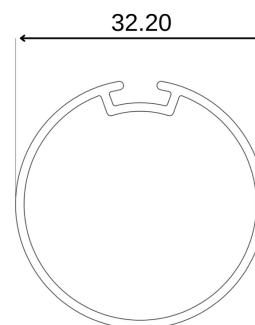
2 D



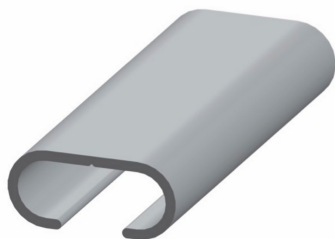
2 D



2 D



3 D



CODE	DESCRIPTION	LENGTH
VZZ-32463-60	C-TRACK	6.000

2 D

